

Features

- HDMI v1.4 / 10.2 Gbps
- Ultra HD up to 3840x2160 @ 30Hz
- WQHD 1440p @ 30Hz & 1080p @ 60Hz
- HDCP 2.2 support
- Chroma 4:4:4 & 4:2:0 support
- 3.6 Gbit/s per channel, up to 10.2Gbit/s total
- Supports LPCM, Dolby-AC3, DTS audio formats
- IR return support for source device remote control
- Three modes of operation:
 - Point-to-Point Mode
 - TCP/IP Network Mode
 - One-to-Many Mode
- IEEE-568B wiring standard for TCP/IP networks
- Low Latency (up to 350ms input delay)
- 4K up to 120m / 1080p up to 200m via CAT6
- HDMI signal boosting for longer cable support

Package Contents

- 1pc HDMI Transmitter (TX)
- 1pc HDMI Receiver (RX)
- 2pc 240V Mains Power Adapter (AU)
- 1pc IR Signal Blaster (TX)
- 1pc IR Signal Reader (RX)
- 1pc User Guide

Specifications

Video Signal Support	HDMI (0.5-1.0 volts p/p)
Amplifier Bandwidth	10.2Gbps (3.4 Gbps (340MHz) p/c)
Audio Format Support	LPCM, Dolby True-HD, DTS-HD
Ultra HD Resolutions	4K@30Hz 8-bit p/c (3840x2160)
Progressive Scan SD	480, 576, 720, 1080 50/60Hz
Internaced SD	1080i 50/60Hz
Transmission Distance	4K @ 120m / 1080 @ 200m
Operating Temperature	0°C to 50°C
Operating Humidity	5 to 85% RH (no condensation)
Power Supply	5V $\overline{\text{---}}$ 2A / 8W max use
Dimensions	120 x 95 x 24mm
Weight	210g (each, without cables)

HDMI®

Specifications are subject to change without notice. AVENCORE is a registered trademark of VIDORRA PTY LTD. HDMI and the HDMI logo are registered trademarks of HDMI Licensing, LLC. Other brands and product names are trademarks or registered trademarks of their respective holders. © Copyright 2024 Vidorra Pty Ltd. All rights reserved.

WWW.AVENCORE.COM.AU

Please retain this manual for future reference

Halon SERIES

4K HDMI® Extender over CAT6 with TCP/IP and IR Support

AV-H-EX412 (Kit)
User Guide



Avencore®

Better cables. Smarter gadgets.

4K HDMI® Extender over CAT6 with TCP/IP and IR Support

△ Safety Information

- **Safety** - Risk of electric shock. No user-repairable parts inside. Do not open or modify.
- **Environment** - Do not operate the device in direct sunlight, dusty environments, or in wet, raining or damp conditions. Designed for indoor use only.

Basic Operation

Connecting Power

1. Connect the transmitter and receiver units **(E)** to 240V mains power using the included adapters

Connecting Devices

1. Connect a HDMI source to the Transmitter **(A)**
2. Connect a HDMI display to the Receiver **(I)**
3. Connect the IR Blaster (TX) to the Transmitter **(B)**
4. Connect the IR Reader (RX) to the Receiver **(J)**
5. Connect the Transmitter and Receiver **(H)** to **(K)** using quality CAT6 cables.

Press the RESET buttons **(C)** if signal is lost

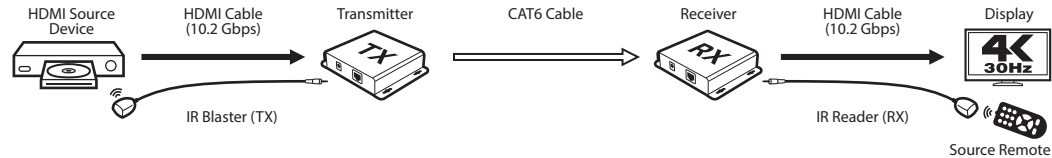
Power indicator LED **(D)**

Transmission activity LED **(F)**

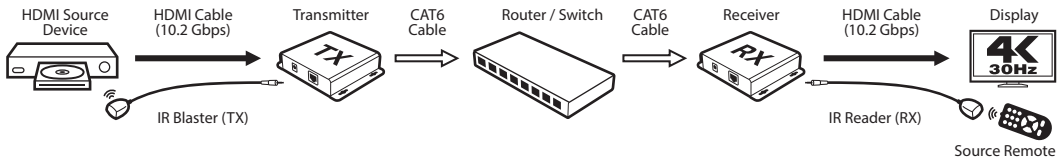
Link indicator LED **(G)**

Note: Source device remote control should only be visible to one IR Reader at a time for reliable device operation

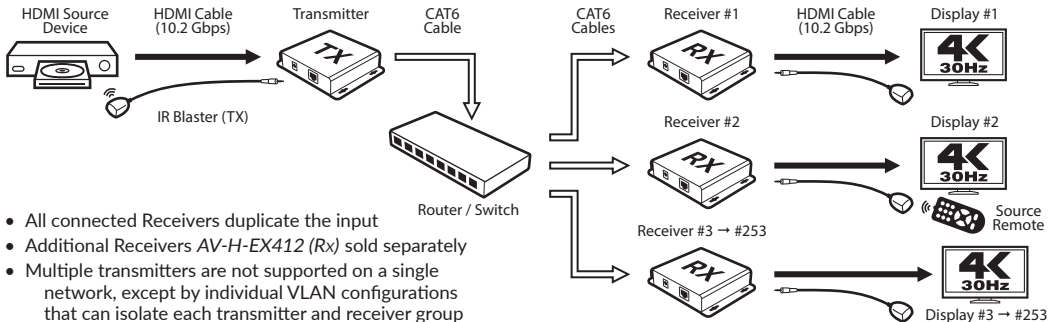
• Point-to-Point Mode



• TCP/IP Network Mode



• One-to-Many Mode



- All connected Receivers duplicate the input
- Additional Receivers AV-H-EX412 (Rx) sold separately
- Multiple transmitters are not supported on a single network, except by individual VLAN configurations that can isolate each transmitter and receiver group